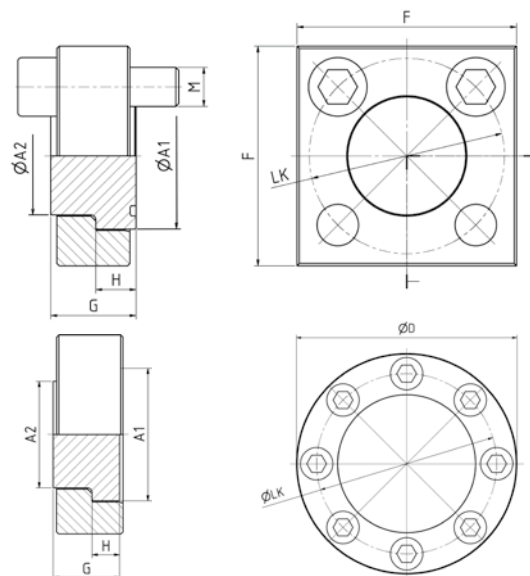


115 | Blindstopfen – zentriert – ND 160 – ISO 6164

Centering flange plug – ND 160 – ISO 6164



| | |
|--|----------------------------|
| Bestellbezeichnung: ordering code: | S355J2^{*1} |
| <ul style="list-style-type: none"> • Blindflansch mit Nut (Blindstopfen mit Nut inkl. Vierkant- bzw. Rundflansch, O-Ring und Schrauben) <i>flange plug with o-ring groove (flange plug including square or round flange respectively, o-ring and bolts)</i> | VKB-... -160KM |
| <ul style="list-style-type: none"> • Blindflansch ohne Nut (Blindstopfen ohne Nut inkl. Vierkant- bzw. Rundflansch) <i>flange plug without o-ring groove (flange plug including square or round flange respectively)</i> | G-VKB-... -160K |

| maximaler Betriebsdruck <i>maximum recommended working pressure</i> | DN <i>DN</i> | Typ <i>type</i> | Abmessungen <i>dimensions</i> | | | | | | | Schrauben <i>bolts</i> | O-Ring <i>o-ring</i> | Gewicht (nur Blind-stopfen) <i>weight (flange plug only)</i> |
|--|-----------------|--------------------|----------------------------------|-------|-------|-------|-------|------|------|---------------------------|-------------------------|--|
| | | | A1 | A2 | LK | F | D | G | H | | | |
| Blindflansch mit Nut / flange plug with o-ring groove | | | | | | | | | | | | |
| 160 | 12 | VKB-12-160KM | 28,0 | 17,5 | 44,0 | 50,0 | – | 25,0 | 11,5 | 4 x M10x35 | 16,3x2,4 | – |
| 160 | 16 | VKB-16-160KM | 38,0 | 27,0 | 54,0 | 60,0 | – | 25,0 | 11,5 | 4 x M10x35 | 25,3x2,4 | – |
| 160 | 20 | VKB-20-160KM | | | | | | | | | | |
| 160 | 25 | VKB-25-160KM | 46,0 | 34,0 | 64,0 | 70,0 | – | 25,0 | 12,5 | 4 x M12x35 | 29,8x2,6 | – |
| 160 | 32 | VKB-32-160KM | 54,5 | 43,0 | 72,0 | 80,0 | – | 30,0 | 14,5 | 4 x M12x40 | 34,5x2,6 | – |
| 160 | 40 | VKB-40-160KM | 60,0 | 48,3 | 80,0 | 90,0 | – | 35,0 | 16,5 | 4 x M16x50 | 43,0x3,0 | – |
| 160 | 50 | VKB-50-160KM | 76,0 | 60,3 | 98,0 | 100,0 | – | 43,0 | 24,0 | 4 x M16x60 | 53,3x5,33 | – |
| 160 | 65 | VKB-65-160KM | 92,0 | 77,0 | 118,0 | 120,0 | – | 52,0 | 25,0 | 4 x M20x70 | 61,0x5,0 | – |
| 160 | 80 | VKB-80-160KM | 135,0 | 114,5 | 175,0 | 180,0 | – | 63,0 | 33,0 | 4 x M30x90 | 88,0x6,0 | – |
| 160 | 100 | VKB-100-160KM | | | | | | | | | | |
| 160 | 125 | VKB-125-160KM | 168,0 | 153,0 | 200,0 | – | 245,0 | 75,0 | 39,0 | 8 x M24x100 | 115,0x6,0 | – |
| 160 | 150 | VKB-150-160KM | 210,0 | 178,0 | 245,0 | – | 300,0 | 90,0 | 45,0 | 8 x M30x110 | 148,0x7,0 | – |
| Blindflansch ohne Nut / flange plug without o-ring groove | | | | | | | | | | | | |
| 160 | 12 | G-VKB-12-160K | 28,0 | 17,5 | 44,0 | 50,0 | – | 20,0 | 8,0 | – | – | – |
| 160 | 16 | G-VKB-16-160K | 38,0 | 27,0 | 54,0 | 60,0 | – | 20,0 | 8,0 | – | – | – |
| 160 | 20 | G-VKB-20-160K | | | | | | | | | | |
| 160 | 25 | G-VKB-25-160K | 46,0 | 34,0 | 64,0 | 70,0 | – | 20,0 | 9,0 | – | – | – |
| 160 | 32 | G-VKB-32-160K | 54,5 | 43,0 | 72,0 | 80,0 | – | 25,0 | 11,0 | – | – | – |
| 160 | 40 | G-VKB-40-160K | 60,0 | 48,3 | 80,0 | 90,0 | – | 30,0 | 12,5 | – | – | – |
| 160 | 50 | G-VKB-50-160K | 76,0 | 60,3 | 98,0 | 100,0 | – | 38,0 | 18,0 | – | – | – |
| 160 | 65 | G-VKB-65-160K | 92,0 | 77,0 | 118,0 | 120,0 | – | 47,0 | 18,0 | – | – | – |
| 160 | 80 | G-VKB-80-160K | 135,0 | 114,5 | 175,0 | 180,0 | – | 58,0 | 24,0 | – | – | – |
| 160 | 100 | G-VKB-100-160K | | | | | | | | | | |
| 160 | 125 | G-VKB-125-160K | 168,0 | 153,0 | 200,0 | – | 245,0 | 70,0 | 33,0 | – | – | – |
| 160 | 150 | G-VKB-150-160K | 210,0 | 178,0 | 245,0 | – | 300,0 | 82,0 | 37,0 | – | – | – |

*1 oder vergleichbare Güte (auch in 1.4404 lieferbar) / or comparable material (also available in 1.4404)